

symo®



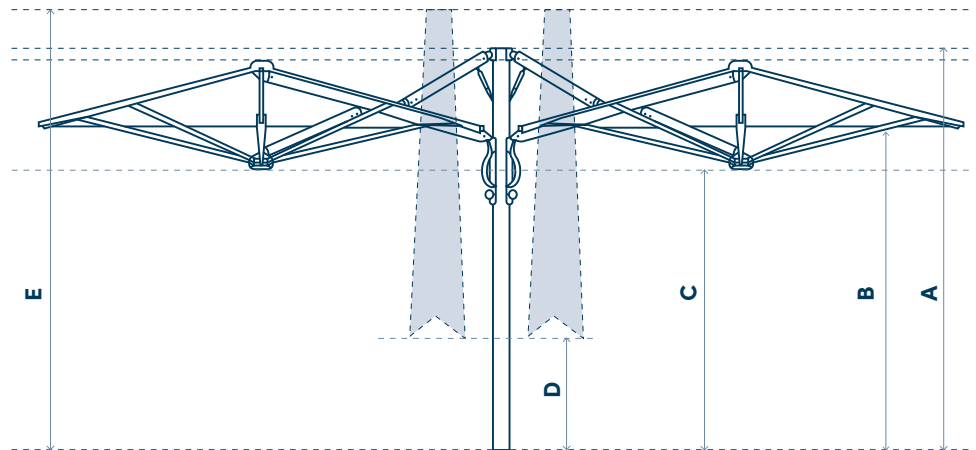
TREVO

CREATING PARASOLS FOR PROFESSIONALS

www.symoparasols.com

TREVO

Technical details



		T2		V2	X4
PARASOL		6 x 3 m	7 x 3,5 m	6 x 3 m	6 x 6 m
Shape					
Dimensions					
	A - Total height open	270 cm	290 cm	280 cm	280 cm
	B - Height to rib	235 cm	240 cm	235 cm	235 cm
	C - Free height open	205 cm	220 cm	205 cm	205 cm
	D - Free height closed	90 cm	64 cm	50 cm	50 cm
	E - Max. storage length	295 cm	310 cm	300 cm	300 cm
	Weight	69 kg	71 kg	69 kg	90 kg
	Shade area (m ²)	18 m ²	24,5 m ²	18 m ²	36 m ²
Fabric	Fabric colours	Orchestra: Limited colours - See page 3			
Frame	Pole	Stainless steel - 60 x 2 mm			
	Material	Aluminium - Powder coated White or Carbon			
	Handle	Gas spring opening			
	System	Retractable system			
Options	Gutter	•	•	•	•
Wind resistance		5 Bft (38 km/h - 24 mph)			





BASES

CROSS BASE TREVO 240 kg
- 4 tiles 50 x 50 x 11 cm



GROUND PLATE



INGROUND SLEEVE
- 30 x 30 x 32 cm



BASE OPTIONS

1 - COVER PLATE FOR CROSS BASE TREVO
- white or carbon colour
- 112 x 112 cm



ORCHESTRA COLOURS





Lighting: runs on battery or electricity



Rain gutter

symo[®]

CREATING PARASOLS FOR PROFESSIONALS

Industriepark Z3 Waggelwater
Dirk Martensstraat 13 - 8200 Brugge (Belgium)
T 32 (0) 50 32 07 95
info@symoparasols.com
www.symoparasols.com

