

symo[®]



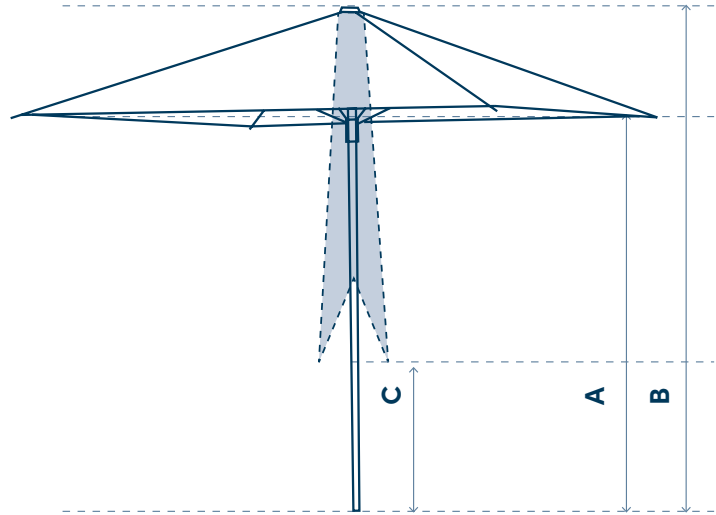
QUATTRO

CREATING PARASOLS FOR PROFESSIONALS

www.symoparasols.com

QUATTRO

Technical details



PARASOL		Ø 3 m	2 x 2 m	2,5 x 2,5 m	3 x 3 m	2,5 x 2 m	3 x 2 m
Shape							
Dimensions	A - Free height open	210 cm	210 cm	210 cm	210 cm	210 cm	210 cm
	B - Total height	255 cm	250 cm	265 cm	265 cm	265 cm	275 cm
	C - Free height closed	100 cm	82 cm	75 cm	38 cm	75 cm	80 cm
	Net weight	10 kg	6 kg	9,5 kg	11,5 kg	9 kg	9 kg
	Brut weight	13 kg	9 kg	12,5 kg	14,5 kg	12 kg	12 kg
	Packaging size	275 x 27 x 27 cm					
	Shade area (m ²)	7,07 m ²	4 m ²	6,25 m ²	9 m ²	5 m ²	6 m ²
	Fabric	Fabric colours	Orchestra: see colours on fabrics sheet				
Fire Retardant		•	•	•	•	•	•
Frame	Pole	Ø 40 x 2 mm					
	Material	Anodized aluminium natural colour (RAL colour powder coated on request)					
	Handle	Pulley system					
	Ribs Ø 18 x 2 mm	8	4	8	8	8	8
Options	Fixed valances	•	•	•	•	•	•
Wind resistance		6 Bft (49 km/h - 31 mph)					



BASES

CONCRETE BASE 42 kg (for size 2 x 2 m)

- Base vibrated concrete grey
- Ø 55 cm, 8 cm high
- Upstand steel with silver epoxy coating
- 22 cm high hand grips aluminium



GROUND PLATE ECONOMY 17 kg

- 60 x 60 cm / 10 mm steel
- Galvanized - silver coloured
- Must be screwed to the ground

Base options 1



CONCRETE BASE 60 kg (for all sizes)

- Base vibrated concrete grey
- Ø 65 cm, 10 cm high
- Upstand steel with silver epoxy coating
- 22 cm high hand grips aluminium



INGROUND SLEEVE ECONOMY

- 3 separate anti rust treatments
- Must be concreted into the ground

Base options 1



LUNA 30 kg

- 60 x 60 cm / 10 mm steel
- With pole protection
- Sandblasted, metallized and powder coated

Colours

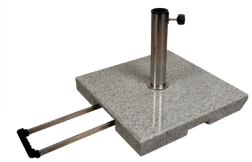
White RAL 9010 - Black RAL 9005

Base options 3-4-5



GRANITE 40 kg

- 50 x 50 cm
- With pole protection
- Stainless steel tube
- Whit comfort handle and rollers
- Light grey colour



RONDO 42 kg

- Ø 74 cm - 12 mm steel
- Sandblasted, metallized and powder coated

Colours

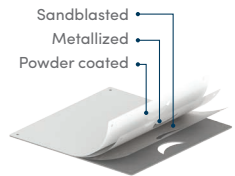
white RAL 9010 - black RAL 9005

Base options 2-4



TOP QUALITY

3 treatments for longer life span in heavy duty circumstances



BASE OPTIONS

1 - ANTI-THEFT SCREW AND KEY



3 - 4 CASTORS FOR LUNA

2 with brakes



2 - EXTRA WEIGHT RONDO

2 x 10 kg

- 80 x 80 x 4 cm
- 6 mm steel

- Sandblasted, metallized and powder coated

Colours

white RAL 9010 - black RAL 9005



4 - ANY RAL COLOUR



5 - EXTRA WEIGHT LUNA

25 kg





Gutter for square parasols



Quaseo light



Bla Bla table
white RAL 9010 – black RAL 9005



Protective cover Ripstop®



Coupe + Bla Bla table
Black RAL 9005

symo®

CREATING PARASOLS FOR PROFESSIONALS

Industriepark Z3 Waggelwater
Dirk Martensstraat 13 - 8200 Brugge (Belgium)
T 32 (0) 50 32 07 95
info@symoparasols.com
www.symoparasols.com

