

symo[®]



COUTURE

Design by Lucile Roybier

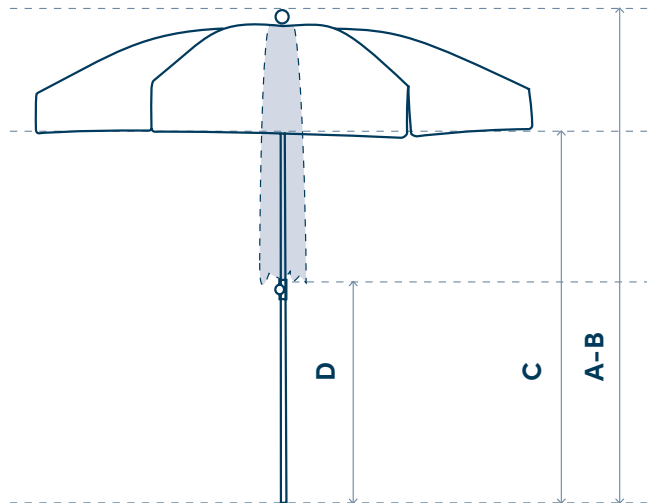
CREATING PARASOLS FOR PROFESSIONALS

www.symoparasols.com

COUTURE

Technical details

Design by Davy Grosemans



		STAINLESS STEEL		WOOD
PARASOL		Ø 190 cm	Ø 245 cm	Ø 190 cm
Shape				
Dimensions	A - Height closed	245 cm	245 cm	221 cm
	B - Height open	245 cm	245 cm	221 cm
	C - Free height open	193 cm	175 cm	190 cm
	D - Free height closed	122 cm	100 cm	115 cm
	Weight	3,5 kg	4,5 kg	5,5 kg
	Packaging size	160 x 18 x 18 cm	160 x 18 x 18 cm	160 x 16 x 16 cm
	Shade area (m ²)	± 2,83 m ²	± 4,71 m ²	4,25 m ²
Fabric	Top fabric	Symacryl (see page 3)		
	Inside fabric - only valances			
Frame	Pole	No tilt Upper: Ø 27 mm Lower: Ø 30 mm Marine grade	With tilt Upper: Ø 27 mm Lower: Ø 30 mm Marine grade	No tilt Upper: Ø 36 mm Lower: Ø 36 mm
	Material	Brushed stainless steel tube inox 304	Brushed stainless steel tube inox 304	Beech wood
	Ribs	8 x Ø 4,5 mm - Black steel ribs, metallized and coated	8 x Ø 4,5 mm - Black steel ribs, metallized and coated	8 x Ø 4,2 mm - Black steel ribs, metallized and coated
Protective cover		Polyester Ripstop® - grey		
Wind resistance		5 Bft (38 km/h - 24 mph)		



BASES

RONDO 42 kg

Ø 74 cm - 12 mm steel - Sandblasted, metallized and powder coated

Colours

white RAL 9010 - black RAL 9005

Base options 1



LUNA 30 kg

- 60 x 60 cm / 10 mm steel
- With pole protection
- Sandblasted, metallized and powder coated

Colours

White RAL 9010 - Black RAL 9005

Base options 2-3-4



COUPE



CUBE



BASE OPTIONS

1 - EXTRA WEIGHT

2 x 10 kg

- Ø 74 cm, 2 parts
- 6 mm steel
- Sandblasted, metallized and powder coated

Colours

white RAL 9010 - black RAL 9005



2 - ANY RAL COLOUR



3 - 4 CASTORS

with brakes

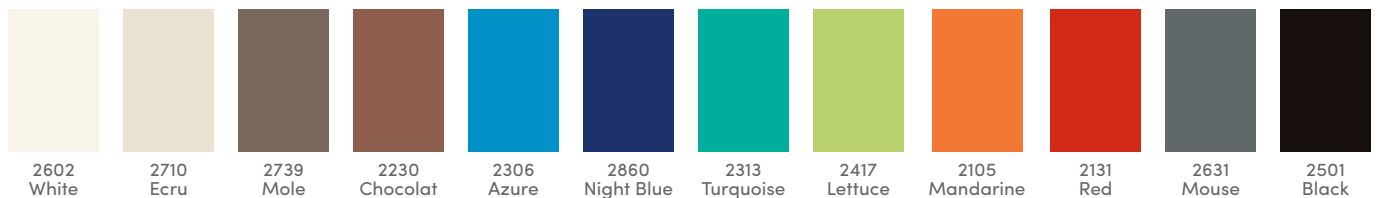


4 - EXTRA WEIGHT LUNA

25 kg



SYMACRYL COLOURS





Protective Cover

symo[®]

CREATING PARASOLS FOR PROFESSIONALS

Industriepark Z3 Waggelwater
Dirk Martensstraat 13 - 8200 Brugge (Belgium)
T 32 (0) 50 32 07 95
info@symoparasols.com
www.symoparasols.com

